

MIEN3205G Series

5-Port Gigabit Din-Rail Industrial Ethernet Switch



- Support 5×1G copper ports, or 1×1G SFP port and 4× 1G Ethernet ports
- Ethernet ports support 10/100/1000M, full/half duplex, auto MDI/MDI-X connection, plug-and-play
- Support single AC85~264V/DC110~370V input, or dual DC 9~60V DC inputs, dual input support power redundancy
- High-strength metal casing, IP40 protection level, fanless heat dissipation, the device can reliably operate in harsh industrial environments ranging from -40°C to +85°C



Product Description

The MIEN3205G series is a 5-port full Gigabit unmanaged industrial Ethernet switch developed by Maiwe specifically for industrial communication network applications. This series of products provides 5 Gigabit Ethernet ports, with configurations of 5* copper ports, or 1 fiber and 4 copper ports. It also offers options for DC power input or AC power input. Each Gigabit copper port features 10/100/1000M auto-sensing, supports full-duplex or half-duplex mode, and can automatically handle MDI/MDI-X connections. This provides strong support for industrial automation, making industrial communication smoother, more reliable, and faster.

The products are built with industrial-grade components, featured with a high-strength metal casing for durability, and utilize fanless heat dissipation. They can operate in a wide temperature range from -40°C to +85°C, making them suitable for various challenging work environments while maintaining stable communication performance. These products can be widely used in industrial automation, comprehensive energy, smart cities, intelligent transportation, smart factories, and other industrial fields.

☑☑☑ Specification

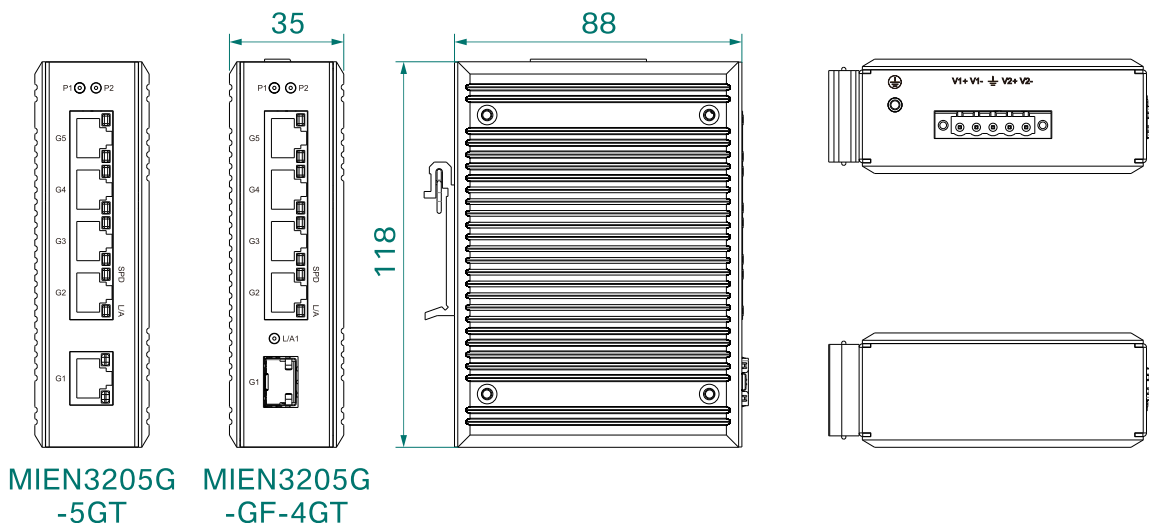
Switching		
Backplane Bandwidth	14Gbps	
Buffer Size	2Mbit	
MAC Table Size	2K	
Interface	MIEN3205G-5GT	MIEN3205G-GF-4GT
1G Fiber Port	/	1*1000Base-X SFP port
1G Copper Port	5* 10/100/1000Base-T(X) Gigabit RJ45 ports, support full/half duplex, and auto MDI/MDI-X	4*10/100/1000Base-T(X) Gigabit RJ45 ports, support full/half duplex, and auto MDI/MDI-X
Status LED	Power indicator, Port indicator	
Power Supply		
Input Voltage	DC model: DC9~60V, dual power redundancy, no polarity. AC model: AC85~264V (frequency: 47~63Hz) or DC110~370V.	
Power Consumption	< 1.8W@DC12V(full load)	< 2.5W@DC12V(full load)
Connection	5.08mm pitch 5-pin terminal block	
Physical Characteristics		
Dimensions	118×35×88mm (DIN rail mounting clip excluded)	
Installations	Standard 35mm DIN-rail	
IP Code	IP40	
Weight	0.4kg	
Working Environment		
Operating Temp	-40℃~+85℃	
Storage Temp	-40℃~+85℃	

Specification

Relative Humidity	5%~95% (non-condensing)
Industry Standard	
EMC	IEC 61000-4-2(ESD): Level 4 IEC 61000-4-5(Surge): Level 4 (*Ethernet ports support 6kV surge protection) IEC 61000-4-4(EFT): Level 4
Certification	CE, FCC, RoHS

Dimensions

Unit: mm





Ordering Information

Standard Model	1G SFP Port	1G Copper Port	Input Voltage
MIEN3205G-5GT	/	5	Dual DC9~60V
MIEN3205G-GF-4GT	1	4	
MIEN3205G-5GT-AD220	/	5	Single AC85~264V or DC110~370V
MIEN3205G-GF-4GT-AD220	1	4	



Contact Us

Wuhan Maiwe Communication Co., Ltd

Address: No.52 Liufang Avenue, East lake High-tech Development Zone, Wuhan, China.

Tel: 027-87170217

Mail: enquiry@maiwe.com

Official site: www.maiwe.com

Copyright © Maiwe Communication All rights reserved