

MIEN3208G-8GT

8-Port Gigabit DIN-Rail Industrial Ethernet Switch



- 8 × 10/100/1000M copper ports, support full/half duplex, auto MDI/MDI-X connection, plug-and-play
- Support single AC85~264V/DC110~370V input, or dual DC9~60V DC inputs, dual input supports power redundancy.
- High-strength metal casing, IP40 protection level,
- Fanless design, work in harsh industrial environments ranging from -40°C to +85°C



Product Description

The MIEN3208G-8GT series is an 8-port unmanaged industrial gigabit Ethernet switch developed by Maiwe specifically for industrial communication network applications. This network switch provides 8*Gigabit Ethernet ports, with DC power input or AC power input options. Each Gigabit Ethernet port features 10/100/1000M auto-sensing capability, supports full-duplex or half-duplex mode and auto MDI/MDI-X connection. This provides strong support for industrial automation, making industrial communication smoother, more reliable, and faster.

The gigabit switch is built with industrial-grade components, standard 35mm DIN-rail mounting solution, and has a high-strength metal casing for durability. It can operate in a wide temperature range from -40°C to +85°C, suitable for various challenging work environments while maintaining stable communication performance. This network switch can be widely used in industrial automation, comprehensive energy, smart cities, intelligent transportation, smart factories, and other industrial fields.

☑☑☑ Specification

Switching	
Backplane Bandwidth	16Gbps
Buffer Size	1.5Mbit
MAC Table Size	4K
Interface	
1G Copper Port	8*10/100/1000Base-T(X) Gigabit RJ45 ports, supporting full/half duplex, and auto MDI/MDI-X
Status LED	Power indicator, Port indicator
Power Supply	
Input Voltage	DC model: DC9~60V, dual power redundancy, non-polarity AC model: AC85~264V (frequency: 47~63Hz) or DC110~370V
Power Consumption	< 2.5W@DC24V(full load)
Connection	5-pin 5.08mm pitch with locking connector terminal
Physical Characteristics	
Dimensions	140×35×100mm (DIN rail mounting clip excluded)
Installations	Standard 35mm DIN-rail
IP Code	IP40
Weight	0.45kg
Working Environment	
Operating Temp	-40℃~+85℃
Storage Temp	-40℃~+85℃
Relative Humidity	5%~95% (non-condensing)
Industry Standard	
EMC	IEC 61000-4-2(ESD): Level 4 IEC 61000-4-5(Surge): Level 4 (*Ethernet ports support 6kV surge protection)



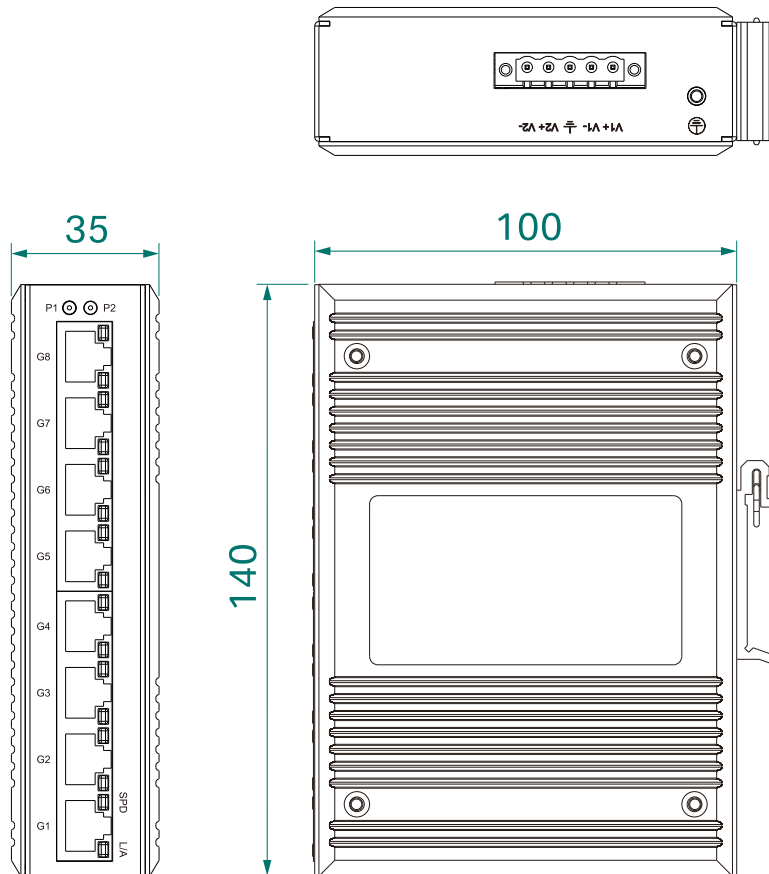
Specification

	IEC 61000-4-4(EFT): Level 4
Certification	CE, FCC, RoHS



Dimensions

Unit: mm





Ordering Information

Standard Model	1G Copper Port	Input Voltage
MIEN3208G-8GT	8	Dual DC9~60V
MIEN3208G-8GT-AD220	8	Single AC85~264V or DC110~370V



Contact Us

Wuhan Maiwe Communication Co., Ltd

Address: No.52 Liufang Avenue, East lake High-tech Development Zone, Wuhan, China.

Tel: 027-87170217

Mail: enquiry@maiwe.com

Official site: www.maiwe.com

Copyright © Maiwe Communication All rights reserved