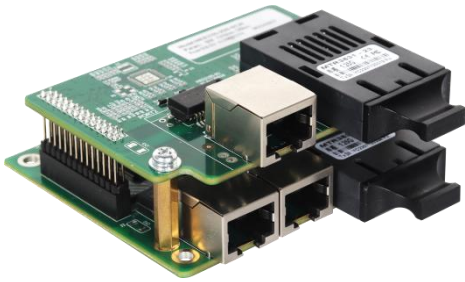


CES3105 Series

5-Port Layer 2 Embedded Industrial Gigabit Ethernet Switch



- 1/2/3x1G fiber ports, 4/3/2x1G copper ports
- Fiber port supports single-mode/multi-mode fiber, SC/FC/ST, wavelength and transmission distance are optional
- Copper port supports 10/100/1000M, full/half duplex, auto MDI/MDI-X connection
- Support Jumbo frame of up to 9216 bytes
- Support DC6~32V power input, anti-reverse connection, pre-charge, overcurrent and overvoltage protection, and complies with intrinsically safe circuit design standards
- Support -40°C~+85°C operating temperature

Product Description

CES3105 is a series of 5-port layer 2 unmanaged Gigabit embedded industrial Ethernet switches designed for industrial mining network applications. It meets intrinsically safe design requirements. The switch series supports DC6~32V power input, the power supply supports anti-reverse connection, pre-charge, over-current and over-voltage protection. CES3105 adopts embedded installation to meet the needs of various network sites. Each gigabit copper port has auto-sensing capability, supports full-duplex or half-duplex mode, and can automatically perform MDI/MDI-X connections, providing a strong guarantee for industrial automation and making industrial communications smoother and more reliable. The hardware adopts industrial-grade components and supports -40~+85°C operating temperature. The power supply meets the requirements of intrinsically safe circuit design standards, and has passed strict safety regulations and EMC tests, to meet the application requirements of harsh industrial environments. Products can be widely used in industrial automation, integrated energy, intelligent transportation, smart cities, smart mines and other fields.

Technical Specifications

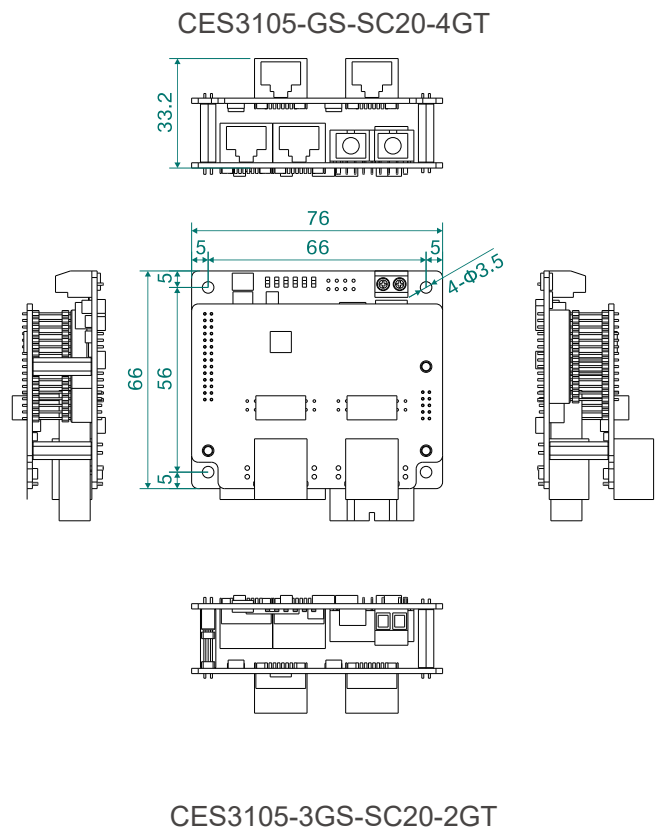
Switching	
Processing Type	Store-and-Forward
Backplane Bandwidth	14G
Buffer Size	2Mbit
MAC table address	2K
Interface	
1G Fiber Port	1/2/3 *1000Base-X Gigabit fiber port, support SC/FC/ST connector, single mode/multimode fiber
1G Copper Port	4/3/2 *10/100/1000Base-T(X) auto-sensing Gigabit RJ 45 port optional, support full / half duplex, auto MDI / MDI-X connection
Status LED	Power indicator, interface indicator, support indicator outside lead
Power Supply	
Input Voltage	DC6~32V
Power Consumption	<2.5W@DC12V
Connection	2-pin 5.08mm pitch terminal blocks
Overcurrent Protection	Anti-reverse connection, pre-charge, overcurrent protection, overvoltage protection
Physical Characteristics	
Dimensions	76×66×33.2 mm (1*fiber port, 4*copper ports model; 2*fiber ports, 3*copper ports model) 76×66×31.1 mm (3*fiber ports, 2*copper ports)
Installations	Embedded installation
Weight	About 0.1kg
Working Environment	
Operating Temp	-40℃~+85℃
Storage Temp	-40℃~+85℃

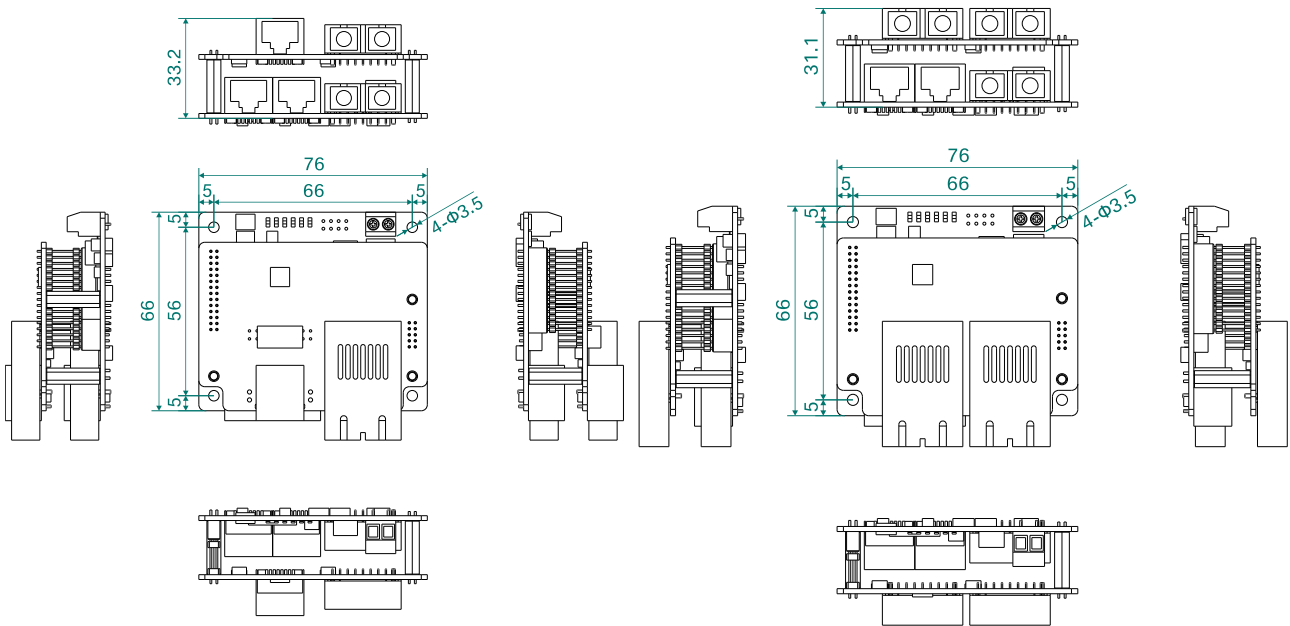
Technical Specifications

Relative Humidity	5%~95% (non-condensing)
Industry Standard	
EMC	IEC 61000-4-5(Surge): Level 2 IEC 61000-4-4(EFT): Level 3
Certification	CE, FCC, RoHS

Dimensions

Unit: mm





Ordering Information

Standard Model	1G Fiber Port	1G Copper Port	Input Voltage
CES3105-GF(S/M)-4GT	1	4	DC6~32V
CES3105-2GF(S/M)-3GT	2	3	
CES3105-3GF(S/M)-2GT	3	2	



Contact Us

COME-STAR COMMUNICATION(WUHAN) CO., LTD.

Address: Puneng Industrial Park, Fenghuang Garden 1st Road, East Lake High-Tech Development Zone, Wuhan, China.

Tel: +86-027-59257958

Mail: info@come-star.com

Official site: www.come-star.com

Copyright © Come-Star All rights reserved