

CIAP354R-2A2

5-Port 100M DIN Rail 2.4GHz Wi-Fi 4 Industrial Wireless AP



- Support 1 x 100M WAN/LAN combo port, 4 x 100M LAN port, and 2 x 2.4GHz antenna interfaces
- Support five operating modes: Router, AP, Repeater, Bridge, and Client to accommodate diverse application scenarios
- Support 802.11k/v/r fast roaming, enabling wireless roaming terminals to achieve rapid handover, low latency, and seamless transitions when moving between multiple identical WLANs
- PROFINET real-time protocol transmission with Layer 2 Tunnel technology
- Support firewall and service functions including port forwarding, IP/MAC/domain name filtering, NAT, DMZ, UPnP, bandwidth control, QoS services, VPN, DDNS, SNMP, and LLDP
- 1 x DC 9-36V wide-voltage input with reverse polarity protection
- High-strength aluminum alloy housing with IP30 rating and fanless heat dissipation
- Operating temperature range: -40°C to +75°C

Product Description

The CIAP354R-2A2 is a 5-port 100M DIN-rail 2.4GHz single-band Wi-Fi 4 industrial wireless AP. It features a 32-bit MIPS 24Kc core with a clock speed up to 650MHz. Supports 2.4GHz wireless connectivity with a maximum wireless data rate of 300Mbps. It supports web-based configuration with multiple network management functions, offering various operating modes including router, AP, repeater, bridge, and client. This enhances network efficiency, reliability, and security to meet diverse complex network requirements. LAN and WAN ports support wired connections for internal and external networks, featuring 10/100M, full/half-duplex, and auto MDI/MDI-X. This provides high-bandwidth, low-latency, and highly reliable network communication for industrial automation applications.

CIAP354R-2A2 features 1 x 100M WAN/LAN combo port, 4 x 100M LAN port, and 2 x 2.4GHz antenna interfaces. Built with reliable industrial-grade design for -40°C to +75°C operating temperatures, it passes rigorous functional, temperature, safety, and electromagnetic immunity testing. Suitable for diverse network environments and harsh industrial applications, it serves industrial automation, integrated energy systems, smart cities, intelligent transportation, smart mining, and smart factories.

Features and Benefits

- Support 32-bit MIPS 24Kc core, 650MHz clock speed;
- Support 1x 100M WAN/LAN combo port + 4x 100M LAN ports;
- Support 2x 2.4GHz antenna interfaces;
- Support IEEE 802.11b/g/n standards with 2×2 spatial streams, delivering up to 300Mbps on the 2.4GHz band;
- Support five operating modes: Router, AP, Repeater, Bridge, and Client;
- Support 802.11k/v/r fast roaming for seamless handover, low latency, and smooth transitions;
- Support PROFINET real-time protocol transmission via Layer 2 Tunnel technology;
- Support external network connectivity via DHCP/static IP/PPPoE dial-up;
- Support three connection methods: WDS, Universal, and Wireless NAT;
- Support static routing for network routing control;
- Support AC-managed for fast roaming, rapid discovery, bulk management, and upgrades;
- Support country code, transmit power adjustment, user count limit, SSID hiding, user isolation, WDS bridging, black/white lists, multicast enhancement;
- Support port forwarding, IP/MAC/domain filtering, NAT, DMZ, UPnP, bandwidth control, QoS services, VPN, DDNS, SNMP, LLDP, and other firewall/service functions;
- Support MixView management for bulk configuration and bulk upgrades;
- Support high-grade EMS protection ensures stable operation in complex electromagnetic environments, immune to external interference;
- Support 1x DC 9-36V wide-voltage input with reverse polarity protection;
- Support aluminum alloy housing with efficient heat dissipation, IP30 protection rating;
- Operating temperature range: -40°C to +75°C.

Specifications

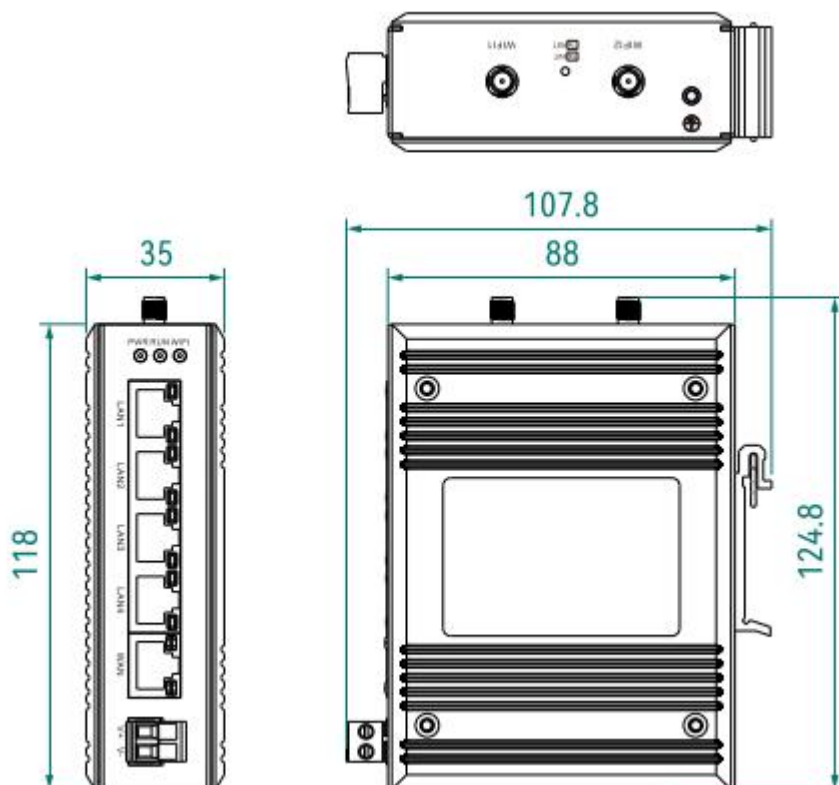
Protocol Standard	
IEEE Standard	IEEE 802.3, IEEE 802.3u, IEEE 802.11b/g/n, IEEE 802.11k/v/r
Interface	
100M WAN	1×10/100Base-T(X) auto-sensing RJ45 WAN/LAN combo port, full/half-duplex, auto MDI/MDI-X
100M LAN	4×10/100Base-T(X) auto-sensing RJ45 LAN port, full/half-duplex, auto MDI/MDI-X
Antenna Connector	2×2.4GHz antenna connectors, SMA-K (male threaded, female socket)
Button	Reboot or Factory Reset button
Status LED	Power indicator, Operation indicator, Wi-Fi indicator, Ethernet port connection or activity indicator
Wi-Fi 4	
Wireless Standards	IEEE 802.11b/g/n
Working Frequency	2.412GHz~2.484GHz
Channel Bandwidth	20MHz/40MHz
Modulation	BPSK, QPSK, 16-QAM, 64-QAM
TX Power	IEEE 802.11n: 13dBm @HT40 MCS7 IEEE 802.11n: 14dBm @HT20 MCS7 IEEE 802.11g: 15dBm @54MHz IEEE 802.11b: 20dBm @11MHz
RX Sensitivity	HT40 MCS7: -71dBm@10% PER(MCS7) HT20 MCS7: -74dBm@10% PER(MCS7) 54M: -77dBm@10% PER 11M: -95dBm@ 8% PER

Theoretical Transfer Rate	The maximum transmission rate of 2T2R in the 2.4GHz band at 40MHz bandwidth is 300Mbps (theoretical)
Operation Mode	Router Mode, AP Mode, Repeater Mode, Bridge Mode, Client Mode
Power Supply	
Power Input	DC9~36V
Power Consumption	Average ≤3.4W @DC24V, Peak ≤6.1W @DC24V
Connection	2-pin terminal block with 5.08mm pitch
Protection	Reverse polarity protection
Physical Characteristics	
Dimensions	118×35×88mm (excluding DIN Rail mounting clip and connectors)
Installations	Easy installation on 35mm DIN rails
IP Code	Aluminum alloy housing, IP30 protection rating
Weight	About 0.36kg (excluding antenna)
Working Environment	
Operating Temp	-40°C ~+75°C
Storage Temp	-40°C ~+85°C
Relative Humidity	5%~95% (non-condensing)
Industry Standard	

EMS	<p>IEC 61000-4-2 (ESD): Level 4 (Contact discharge $\pm 8\text{kV}$, Air discharge $\pm 15\text{kV}$)</p> <p>IEC 61000-4-5 (Surge): Level 4 (Power supply: Common-mode $\pm 4\text{kV}$, Differential-mode $\pm 2\text{kV}$; Ethernet port: Common-mode $\pm 6\text{kV}$, Differential-mode $\pm 4\text{kV}$)</p> <p>IEC 61000-4-4 (EFT): Level 4 (Power supply: $\pm 4\text{kV}$; Ethernet port: $\pm 2\text{kV}$)</p>
-----	---

Dimensions

Unit: mm



Ordering Information

Standard Model	100M WAN	100M LAN	2.4GHz Antenna	Input Voltage
CIAP354R-2A2	1	4	2	DC9~36V



Contact Us

COME-STAR COMMUNICATION(WUHAN) CO., LTD.

Address: Puneng Industrial Park, Fenghuang Garden 1st Road, East Lake High-Tech Development Zone, Wuhan, China.

Tel: +86-027-59257958

Mail: sales@come-star.com

Official site: www.come-star.com

Copyright © Come-Star All rights reserve