

CIEN5206GP-2GF-4GTBT

6-port Layer 2 Gigabit Managed PoE++ Din Rail Industrial Ethernet Switch



- 2 x 1G fiber ports + 4 x 1G PoE copper ports
- PoE complies with IEEE802.3af/at/bt standards, with a maximum output power of 90W per port and 240W for the entire device
- Support MW-Ring, ERPS, and STP/RSTP ring network redundancy protocols
- ESD, lightning surge, and burst protection ensure stable operation in complex electromagnetic environments, free from external electromagnetic interference
- Dual DC48~57V power inputs with dual power supply redundancy and reverse polarity protection
- Aluminum alloy shell, IP40-rated housing protection
- -40°C to +75°C operating temperature

Product Description

CIEN5206GP-2GF-4GTBT is a 6-port Layer 2 managed Gigabit PoE++ DIN-rail industrial Ethernet switch. It delivers high-power PoE output, employs store-and-forward switching, and features robust bandwidth processing capabilities. The switch automatically detects packet errors to minimize transmission failures, effortlessly supporting Gigabit networking while ensuring stable, reliable, and efficient data transmission. It supports web-based management and multiple network protocols to enhance network efficiency, reliability, and security, meeting diverse complex network requirements. The fiber port supports various optional SFP modules, utilizing fiber transmission for strong electromagnetic interference resistance and a maximum transmission distance of 80km. The PoE Ethernet ports support 10/100/1000M, full/half-duplex, auto MDI/MDI-X, and provide PoE power output compliant with IEEE802.3af/at/bt standards. It delivers high-power supply via standard Ethernet cables to PD devices, with a maximum transmission distance of 80km. half-duplex modes, and auto MDI/MDI-X. It delivers PoE power output compliant with IEEE 802.3af/at/bt standards, supplying high-power to standard PD devices via Ethernet cables without disrupting data transmission. This reduces power cabling costs while providing high-bandwidth, low-latency, and highly reliable network communication for industrial automation applications.

CIEN5206GP-2GF-4GTBT features 2 x Gigabit fiber ports (SFP ports) and 4 x Gigabit PoE copper ports. Built with reliable industrial-grade design for -40°C to +75°C operating temperatures. Passes rigorous functional, temperature, safety, and electromagnetic immunity testing to meet diverse network field and harsh industrial environment demands. Widely applicable in industrial automation, integrated energy systems, smart cities, intelligent transportation, and smart factories.

Features and Benefits

- 2 x Gigabit fiber ports + 4 x Gigabit PoE copper ports
- PoE complies with IEEE 802.3af/at/bt standards, with a maximum output power of 90W per port and 240W for the entire device
- PoE management, including maximum power, port power limit, and priority control
- MW-Ring, ERPS, and STP/RSTP ring redundancy protocols
- 802.1Q VLANs divide multiple broadcast domains for enhanced security
- QoS (Quality of Service) prioritizes transmission to alleviate network congestion
- Storm suppression prevents network storms
- Static multicast MAC address binding reduces multicast data broadcasts
- Static port aggregation increases bandwidth and link redundancy
- MW-NMP proprietary network management protocol
- Port mirroring, Ping, and DDM facilitate troubleshooting
- Dual power failure, port disconnection, and ring network status alarms
- Protection against electrostatic discharge, lightning surges, and pulse groups, ensuring stable operation in complex electromagnetic environments without external interference
- 48~57V DC dual power inputs for redundancy and polarity protection
- Aluminum alloy housing for efficient heat dissipation and IP40 protection
- -40°C to +75°C operating temperature

Specifications

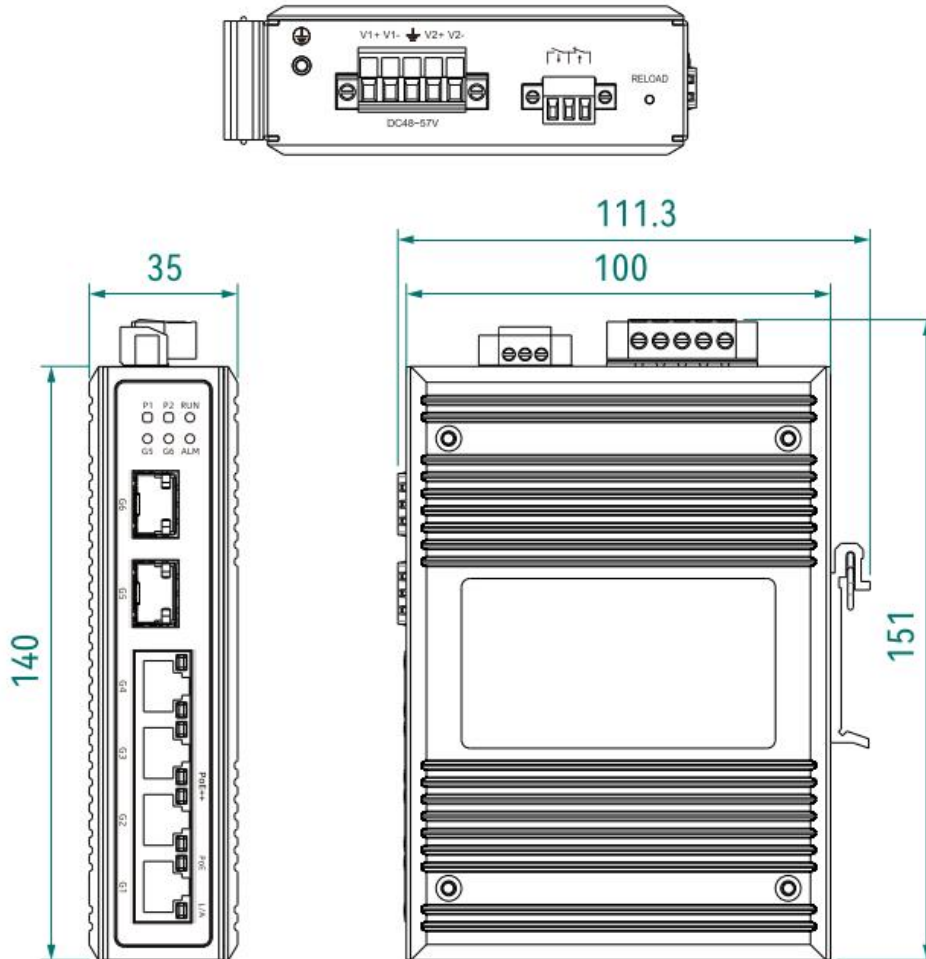
Protocol Standards	
IEEE Standards	IEEE 802.3, IEEE 802.3u, IEEE 802.3ab, IEEE 802.3z, IEEE 802.3af/at/bt, IEEE 802.3x, IEEE 802.1w, IEEE 802.1Q, IEEE 802.1p
Switch Capability	
Processing Type	Store-and-Forward
Backplane Bandwidth	14Gbps
Buffer Size	2Mbit

Jumbo frame	16367 Bytes
MAC Table Size	2K
Interface	
1G Fiber Port	2 × 1000Base-X SFP ports, compatible with 100Base-FX
1G PoE Copper Port	4 × 10/100/1000Base-T(X) auto-sensing Gigabit PoE RJ45 ports, full/half-duplex, auto MDI/MDI-X; PoE power supply complies with IEEE 802.3af/at/bt standards, with a maximum per-port PoE output of 90W; PoE power supply pins: 3, 6, 4, 5 positive; 1, 2, 7, 8 negative
Relay	1 × relay alarm output, 3-pin 3.81mm pitch terminal block with locking mechanism
Button	One-click reboot or factory reset
Status LED	Power indicator, operation indicator, alarm indicator, fiber port indicator, PoE indicator, copper port connection/activity indicator
Power Supply	
Power Input	DC 48~57V, dual power inputs for redundancy and reverse polarity protection (When a single PoE port loads more than 60W, the input voltage must be DC 54~57V)
Power Consumption	≤4.9W@DC48V (excluding PoE) Max total PoE output: 240W
Connection	5-pin 5.08mm pitch terminal block with locking mechanism
Physical Characteristics	
Dimensions	140 × 35 × 100 mm (excluding DIN rail mounting clip and connectors)
Installations	Easy installation on 35mm DIN rails
Enclosure Protection	Aluminum alloy housing, IP40 protection rating

Weight	About 0.47kg
Working Environment	
Operating Temp	-40°C~+75°C
Storage Temp	-40°C~+85°C
Relative Humidity	5%~95% (non-condensing)
Industry Standard	
EMS	<p>IEC 61000-4-2 (ESD): Level 4 (Contact discharge $\pm 8\text{kV}$, Air discharge $\pm 15\text{kV}$)</p> <p>IEC 61000-4-5 (Surge): Level 3 (Power supply: Common mode $\pm 2\text{kV}$, Differential mode $\pm 1\text{kV}$;</p> <p>Ethernet port: Common mode $\pm 2\text{kV}$, Differential mode $\pm 1\text{kV}$)</p> <p>IEC 61000-4-4 (EFT): Level 4 (Power supply: $\pm 4\text{kV}$; Ethernet port: $\pm 2\text{kV}$)</p>

Dimensions

Unit: mm



Ordering Information

Standard Model	1G Fiber Port	1G PoE Copper Port	Input Voltage
CIEN5206GP-2GF-4GTBT	2	4	Dual DC48~57V



Contact Us

COME-STAR COMMUNICATION(WUHAN) CO., LTD.

Address: Puneng Industrial Park, Fenghuang Garden 1st Road, East Lake High-Tech Development Zone, Wuhan, China.

Tel: +86-027-59257958

Mail: sales@come-star.com

Official site: www.come-star.com

Copyright © Come-Star All rights reserve