

CIEN5208 Series

8-Port 100M Din-Rail Layer 2 Managed Industrial Ethernet Switch



- Support 8×10/ 100M copper ports
- MW-Ring (recovery time < 20 ms @ 200 switches), ERPS, STP/RSTP for network redundancy
- 802.1Q VLAN segmentation to create multiple broadcast domains, enhancing security
- Support advanced EMS protection
- Support 1×AC85~264V / DC110~370V or 2×DC9~60V power inputs for redundancy
- Aluminum alloy shell, IP40 rated housing protection

Product Description

The CIEN5208 Series is an 8-port Layer 2 managed industrial Ethernet switch designed for DIN-rail installation, delivering robust performance for demanding environments. Utilizing a store-and-forward mechanism, it offers powerful bandwidth processing capabilities, automatic packet error detection, and reduced transmission failures to ensure stable, efficient, and reliable data delivery. Supporting WEB-based management and multiple network protocols, the CIEN5208 series enhances network efficiency, reliability, and security, making it suitable for complex networking scenarios. Fiber ports accommodate various optical module options for long-distance transmission with strong resistance to electromagnetic interference, while copper ports support 10/100M auto-negotiation, full/half-duplex modes, and MDI/MDI-X auto-switching. This combination provides high-bandwidth, low-latency communication optimized for industrial automation and real-time control applications.

The series includes multiple configurations such as all-copper ports, 2 fiber with 6 copper ports, or 4 fiber with 4 copper ports, offering flexible deployment options. Built with industrial-grade components, it features a rugged design with a wide operating temperature range of -40°C to +85°C (AC models: -40°C to +75°C) and a fanless heat dissipation structure for superior reliability. Each unit undergoes rigorous testing for functionality, extreme temperature resistance, safety, and electromagnetic immunity to ensure consistent performance in harsh industrial environments. With proven durability and high-standard industrial protection, the CIEN5208 series is widely deployed in industrial automation, energy systems, smart cities, intelligent transportation, and smart factories.

Features and Benefits

- Support 8×100M Ethernet ports, with options for all copper ports, 2 fiber ports and 6 copper ports, or 4 fiber ports and 4 copper ports
- Support MW-Ring, ERPS, STP/RSTP, and other ring network redundancy protocols to enhance network reliability
- Support 802.1Q VLAN segmentation for multiple broadcast domains to enhance security
- Support QoS (Quality of Service) for priority transmission to resolve network congestion
- Support storm suppression to prevent network storms
- Support static multicast MAC address binding to reduce multicast data broadcasts
- Support MW-NMP private network management protocol
- Support port mirroring and Ping for convenient fault diagnosis
- Support alarm of power supply failure, port disconnection, and ring network status
- Support high-level EMS protection ensures stable operation in complex electromagnetic environments, unaffected by external electromagnetic interference
- Support aluminum alloy housing for efficient heat dissipation, IP40 protection rating
- DC model operating temperature range: -40°C to +85°C

Specifications

Protocol Standards

IEEE Standards	IEEE 802.3, IEEE 802.3u, IEEE 802.3x, IEEE 802.1w, IEEE 802.1Q, IEEE 802.1p
----------------	---

Switch Capability

Processing Type	Store-and-Forward
Backplane Bandwidth	1.8Gbps
Buffer Size	768kbit
MAC Table Size	2K

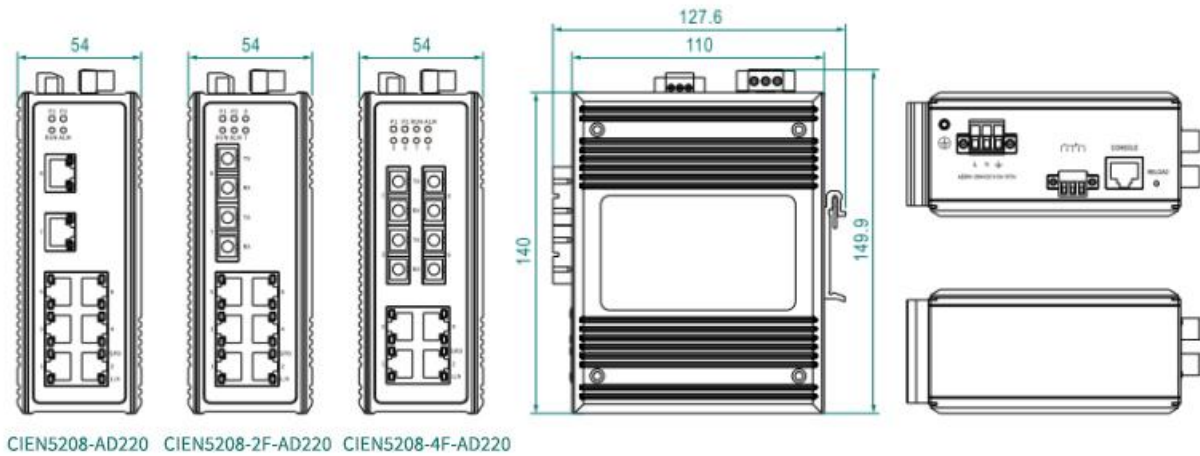
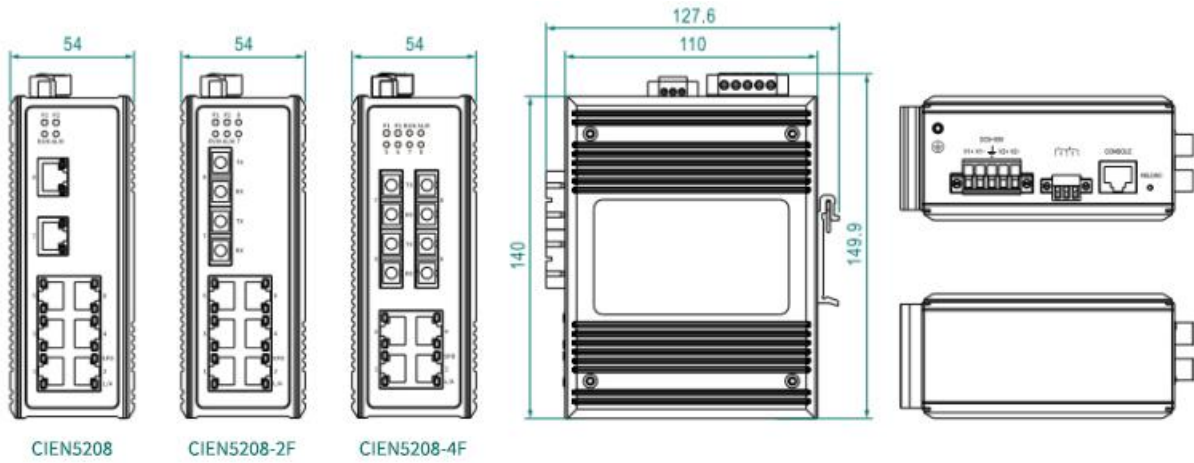
Interface

100M Fiber Port	2/4×100Base-FX 100M fiber ports available, with SC/FC/ST interfaces Transmission options: 1310nm multi-mode dual-fiber 2km or 1310nm single-mode dual-fiber 20km (single/dual-fiber, 40/60/80/100km optional)
100M Copper Port	8/6/4×10/100Base-T(X) auto-sensing RJ45 ports, full/half-duplex, auto MDI/MDI-X
Relay	1×relay alarm output, 3-pin 3.81mm terminal block with lock
Console	1×Console port, RS232 signal RJ45 port, for device debugging
Button	Restore factory settings button
Status LED	Power indicator, operation indicator, alarm indicator, fiber port indicator, copper port speed and connection/activity indicator
Power Supply	
Power Input	DC model: DC9~60V, supports dual power supply redundancy, non-polarity AC model: AC85~264V (47~63Hz) / DC110~370V
Power Consumption	DC Model (@DC24V): ≤1.7W (full power), ≤2.5W (2F), ≤4.3W (4F) AC Model (@AC220V): ≤1.9W (full power), ≤2.6W (2F), ≤3.9W (4F)
Connection	DC model: 5-pin 5.08mm terminal block with lock AC model: 3-pin 5.08mm terminal block with lock
Physical Characteristics	
Dimensions	140×54×110mm (excluding DIN rail & connectors)
Installations	Easy installation on 35mm DIN rails
Enclosure Protection	Aluminum alloy housing, IP40 protection rating
Weight	DC model: about 0.6 kg (all copper port), about 0.62 kg (2F), about 0.63 kg (4F) AC model: about 0.7 kg (all copper port), about 0.72 kg (2F), about

	0.75 kg (4F)
Working Environment	
Operating Temp	DC Models: -40°C~+85°C AC Models: -40°C~+75°C
Storage Temp	-40°C~+85°C
Relative Humidity	5%~95% (non-condensing)
Industry Standard	
EMS	<p>IEC 61000-4-2 (ESD): Level 4 (Contact discharge $\pm 8\text{kV}$, Air discharge $\pm 15\text{kV}$)</p> <p>IEC 61000-4-5 (Surge): Level 4 (Power supply: Common mode $\pm 4\text{kV}$, Differential mode $\pm 2\text{kV}$; Ethernet port: Common mode $\pm 6\text{kV}$, Differential mode $\pm 2\text{kV}$)</p> <p>IEC 61000-4-4 (EFT): Level 4 (Power supply: $\pm 4\text{kV}$; Ethernet port: $\pm 2\text{kV}$)</p> <p>*All-copper port, 2 fiber ports, and 6 copper ports models have a surge rating of Level 3 (power supply common mode $\pm 2\text{kV}$), while others have a rating of Level 4</p>

Dimensions

Unit: mm



Ordering Information

Standard Model	100M Fiber Port	100M Copper Port	Input Voltage
CIEN5208	/	8	Dual DC9~60V
CIEN5208-2F(M/S)	2	6	
CIEN5208-4F(M/S)	4	4	
CIEN5208-AD220	/	8	Single AC 85~264 V / DC 110~370 V
CIEN5208-2F(M/S)- AD220	2	6	
CIEN5208-4F(M/S)- AD220	4	4	



Contact Us

COME-STAR COMMUNICATION(WUHAN) CO., LTD.

Address: Puneng Industrial Park, Fenghuang Garden 1st Road, East Lake High-Tech Development Zone, Wuhan, China.

Tel: +86-027-59257958

Mail: sales@come-star.com

Official site: www.come-star.com

Copyright © Come-Star All rights reserve