

CISCOM7212GP-4GF-8GTPoE

12-port Layer 2 Full Gigabit Managed DIN Rail Industrial PoE Ethernet Switch



- Support 4xGigabit SFP ports, 8xGigabit PoE RJ45 ports
- Comply with IEEE802.3at standard, compatible with IEEE802.3af, PoE port maximum power consumption of 30W, entire switch maximum power consumption of 240W
- Fast ring redundancy with less than 20ms (MW-Ring)
- Support dual power supply redundancy, dual DC 48~57V power supply
- High-strength aluminum alloy shell, IP40 protection, fanless design
- -40°C~75°C working temperature

Product Description

CISCOM7212GP-4GF-8GTPoE is a layer 2 managed DIN-rail PoE industrial Ethernet switch. It supports 4x1G SFP ports and 8x1G PoE ports. It is suitable for devices that comply with the IEEE802.3af/at standard. The switch adopts a store-and-forward mechanism, has strong bandwidth processing capabilities, automatically detects data packet errors, reduces transmission failures. The product selects industrial-grade components, and follows high-standard system design and production control. The DIN-rail aluminum alloy casing is sturdy and durable, with a fanless casing for heat dissipation. It operates in a wide temperature range of -40°C~75°C and has a high-standard industrial protection design. It can adapt to various harsh working environments and has stable communication performance.

CISCOM7212GP-4GF-8GTPoE can be managed through WEB or SNMP, and also provides MW-Ring, ERPS, STP/RSTP, VLAN, LLDP, RMON, ACL, QoS, 802.1X, IGMP Snooping, and rate control, port aggregation, port mirroring, static MAC address forwarding table, network diagnostic function, loopback detection, Email/Relay fault alarm and firmware online upgrade and a series of common advanced management functions. The industrial PoE switch can be widely used in industrial fields such as integrated energy, smart cities, intelligent transportation, and industrial automation.

Product Features

- Support broadcast, unknown multicast and unknown unicast text rate limit, broadcast and multicast data packet storm detection, to prevent broadcast storm
- Support link static aggregation, which can increase transmission bandwidth and improve link reliability
- Supports port mirroring and collects data from port ingress and egress for network detection and fault management
- Support ports statistics of data frames sent and received to realize the monitoring of port traffic
- Support DDM digital diagnosis and monitoring, and can detect DDM optical module temperature, voltage, current, transmitting optical power, receiving optical power, etc
- Support 802.1Q VLAN, provide Access, Trunk, Hybrid interface easy to divide multiple broadcast domain, enhance the security of the network
- Support the MAC address table and the aging time limit, and the static unicast / multicast MAC address is bound with the interface, to ensure the use of legitimate users
- Support IGMP Snooping, layer 2 multicast forwarding table, reducing multicast data broadcast in the network
- Support LLDP, enabling the acquisition of LLDP neighbor device information for link status monitoring, facilitating topology management and fault localization.
- Support ring network redundancy protocols such as MW-Ring, ERPSv1 / v2, STP / RSTP to improve network reliability
- Support WEB control, HTTP, HTTPS protocol access control, login IP address restrictions
- Support TELNET and SSH access control, SSH can provide secure remote login to ensure data integrity and reliability
- Support SNMPv1/v2c/v3
- Support RMON remote network monitoring, make statistics and alarm of various data frames, and can be used for remote monitoring and management of network management system
- Offer QoS to prioritize voice, video, and critical data for transmission, addressing network congestion
- Support ACL access control list, filtering of TCP/UDP/ICMP/IGMP messages based on source/destination IP and MAC address
- Support 802.1X port authentication, to authenticate the access users, and provide local and RADIUS login authentication
- Support relay alarm mode, including network storm, power loss, port loss and other alarm information
- Support loopback detection to prevent the network from ring and causing a network storm
- Support PoE ethernet power supply, the port power supply priority can be customized
- Support user permission management
- Support system log recording of WEB, LINK, CONFIG, AUTH, STORM, RING, SNMP, SYS and other information, support remote monitoring of the log host, and regular log emails

Technical Specifications

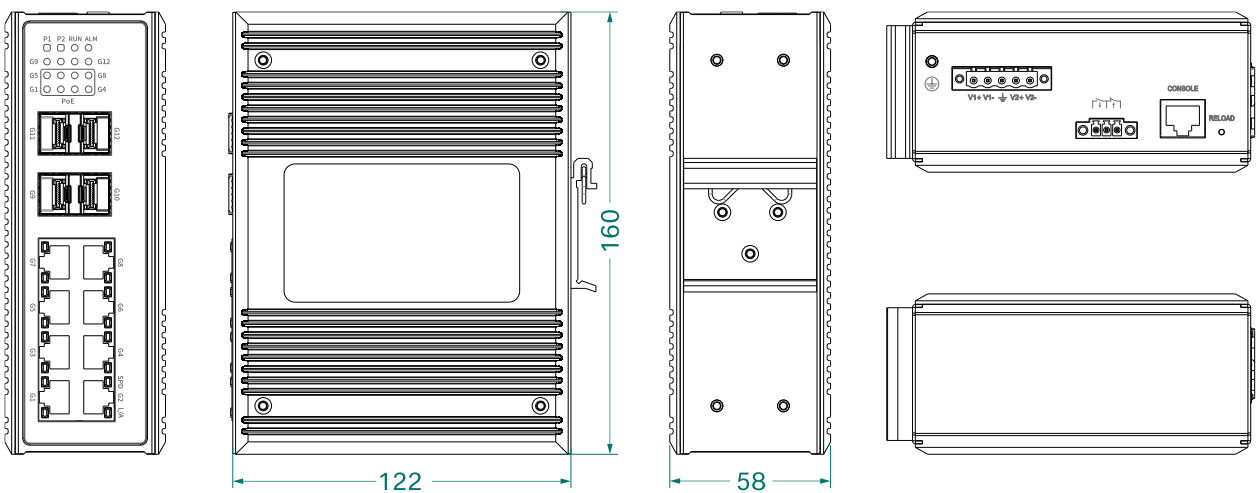
Software	
Switching	<p>Support port configuration, such as port rate, duplex mode, traffic control, maximum transmission unit, etc.</p> <p>Support 802.1Q VLAN, port isolation</p> <p>Support port speed limit, storm suppression, storm detection, static port convergence, and port statistics</p> <p>Support MAC address aging, static MAC address binding</p>
Redundancy	<p>Support MW-Ring proprietary ring network technology</p> <p>Support ERPS v1/v2</p> <p>Support RSTP and is compatible with STP</p>
Multicast	<p>Support IGMP Snooping</p> <p>Support static multicast</p>
Security Management	<p>Support WEB, TELNET, and SSH control</p> <p>Support ACL, data filtering of L2-L4 layer</p> <p>Support 802.1X port authentication</p> <p>Support relay alarm, Email log</p> <p>Support loopback detection, alarms, and Email logging</p>
Management and Maintenance	<p>Support PoE management, maximum power consumption and priority configuration</p> <p>Support QoS, 802.1P/DSCP/port priority mapping, absolute and relative priority control</p> <p>Support SNMP v1/v2c/v3, SNMP Trap, RMON, LLDP</p> <p>Support port mirroring, DDM, Ping</p> <p>Support user rights management, system log, NTP client</p> <p>Support online restart, factory reset, system upgrade, configuration file upload/download</p> <p>Support unified upper-level computer software management</p>
Switching	
Processing Type	Store-and-Forward
Backplane Bandwidth	56G

MAC address Table	8k
Buffer Size	4.1Mbit
Interface	
1G Fiber Port	4x100/1000Base-X Gigabit SFP ports, support 100M/1000M SFP fiber module and 1G SFP copper module (SFP module sold separately)
1G PoE Port	8x10/100/1000Base-T(X) auto-sensing PoE RJ45 ports, full/half duplex, auto MDI/MDI-X; PoE/PoE+ power supply complies with IEEE802.3af/at standard, single port PoE maximum consumption 30W; PoE power supply pins: 1 and 2 are positive, 3 and 6 are negative
Relay	1 Relay alarm output, 3.81mm pitch 3 PIN terminal block
CONSOLE	1 CONSOLE port with an RJ45 connector, supporting RS232 signal for device debugging and command configuration
Button	Factory reset
Statue LEDS	Power indicator, operation indicator, alarm indicator, SFP interface indicator, PoE indicator, port rate and connection/activity indicator
Power Supply	
Input Voltage	DC 48~57V, dual redundant power input (When there is a PD load that complies with the IEEE802.3at standard, please use the DC 51~57V power adapter for power input. In addition, the maximum power consumption of the power adapter must be higher than the total power consumption of the device and each PD load)
Power Consumption	<12W@DC48V (without PD), the maximum PoE power consumption of the entire machine is <240W
Connection	5.08mm pitch 5-pin terminal block
Protection	Reverse polarity protection, overcurrent protection
Physical Characteristics	
Dimensions	160×58×122mm (excluding DIN rail mounting clip)
Installations	35mm standard DIN rail installation

IP Code	IP40
Weight	0.91kg
Working Environment	
Operating Temp	-40°C~+75°C
Storage Temp	-40°C~+85°C
Relative Humidity	5%~95% (non-condensing)
Industry Standard	
EMC	IEC 61000-4-2 (ESD): Level 4 IEC 61000-4-5 (Surge): Level 4 IEC 61000-4-4 (EFT): Level 4
Certification	CE, FCC, RoHS

Dimensions

Unit: mm



Ordering Information

Standard Model	1G Fiber Port	1G POE Port	Input Voltage
CISCOM7212GP-4GF-8GTPoE	4	8	Dual DC 48-57V power input



Contact Us

COME-STAR COMMUNICATION(WUHAN) CO., LTD.

Address: Puneng Industrial Park, Fenghuang Garden 1st Road, East Lake High-Tech Development Zone, Wuhan, China.

Tel: +86-027-59257958

Mail: info@come-star.com

Official site: www.come-star.com

Copyright © Come-Star All rights reserved